

DONJOY looking forward to your visit! Your telecommunications!



东正科技有限公司
DONJOY TECHNOLOGY CO.,LTD.

地址: 温州空港新区港富路25号
总机: 0577-86990888
传真: 0577-86998000

Add: No.25 Gang fu Road, konggang
new District, Longwan Wenzhou, China
Tel: +86-577-86990888
Fax: +86-577-86998000
E-mail: donjoy@cndonjoy.com

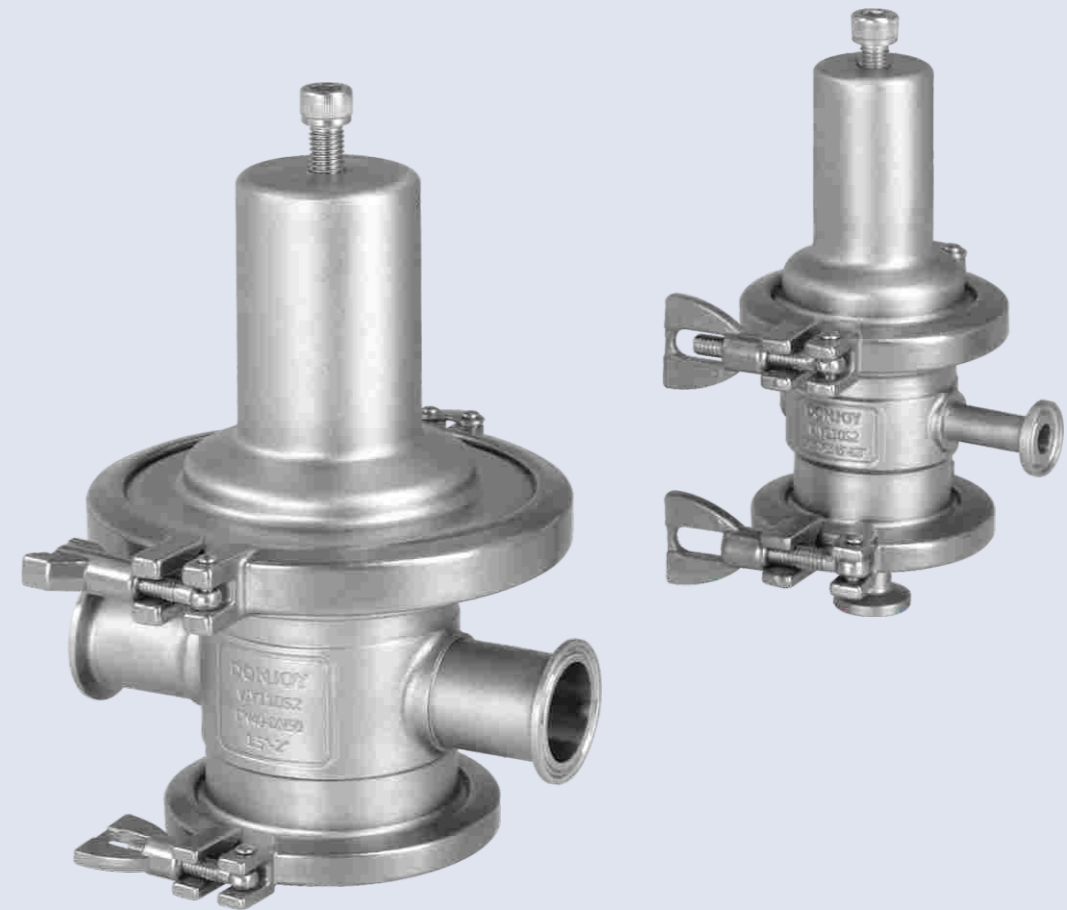
www.cndonjoy.com

法律声明:
目录样册版权归东正所有, 如有抄袭, 必将追究其法律责任和经济赔偿。
东正已获得国家版权局书刊号。东正诸多产品技术, 都具有专利保护, 如有抄袭,
必将追究法律责任和经济赔偿。

Legal statement:
Copyright of the catalogue belongs to Donjoy. If there is plagiarism,
it will be investigated for legal responsibility and economic compensation.
Donjoy has been granted publications number by China's National Copyright.
Donjoy products and technology with patent protection,
If there is plagiarism, it will be investigated for legal responsibility
and economic compensation.

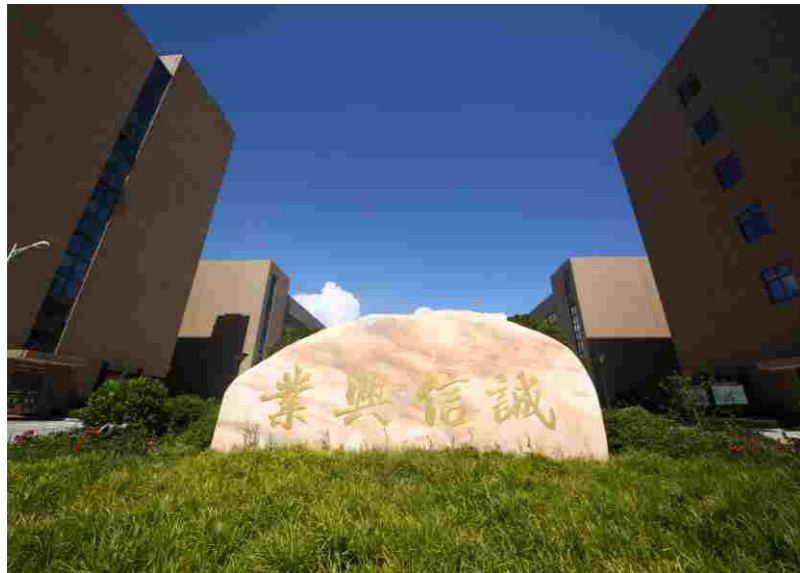
Pressure reducing valve

09 / 减压阀 智能制造



国家高新技术企业 专精特新企业

Advantages



30 YEARS

30年的阀门研发与制造
More than 30 years valve and pump R&d and Manufacturing

23 YEARS

23年的高洁净泵研发与制造
More than 23 years high purity pump R&d and Manufacturing

18 YEARS

18年的阀门控制器研发与制造
More than 18 years valve controller R&d and Manufacturing

15 YEARS

15年的清洗技术研发与制造
More than 15 years Cleaning technology R&d and Manufacturing

300

300多人的专业团队
A profession team of over 300 people

200

200多项知识产权
More than 200 intellectual property rights

30

30多项国际权威认证
More than 30 international authoritative certifications

20

20多项国家与省级荣誉
More than 20 national and provincial honors certificates

超过10年研发经验
工程师队伍
We have more than 10 years experienced engineer team in R & D.

日本Mazak
CNC复合型加工中心
CNC切削中心
CNC车床
Japan Mazak
CNC compound machining center
CNC cutting center
CNC lathe

发那科《Fanuc》
全自动机器人生产线
《Fanuc》Automatic robot
production line

高新技术企业、
省著名商标、
主任质量奖、4项发明、
200余项专利
New high-tech enterprise.
Provincial famous trademark.
Director's Quality Award.4 inventions
More than 200 patents

欧盟CE
美国3-A, FDA
中国特种制造许可证 TS
防爆认证ATEX CNEX
European Union CE certificate
USA 3-A, FDA
China Special Manufacturing
License TS
ATEX CNEX

我们能为你提供
定制化技术服务和制造,
OEM ODM
We can provide
you OEM & ODM service

领先的检测手段,
30多台专业检测设备和
50多种检测方法, 确保
每个产品性能和精度
Advanced detection method.
More than 30 pcs professional
testing equipment. More than
50 inspection ways, insure product
performance and accuracy

30 YEARS

30年洁净领域的专注
30 years of focus in the field of cleanliness

30 YEARS

30年工程应用经验与市场考验
30 years of engineering application experience and market test

三十而立正蕴含着新的力量，
未来我们将一如既往的致力于技术革新！
We Donjoy have established for 30 years, still full of
new energy, in the future we will stick to concentrate on
technology innovation

Introduction

东正创立于1993年，占地面积29000m²，注册资本1.0558亿元，员工300余人，技术团队30余人，200余项知识产权，国际权威认证30余项，国家与省级荣誉证书20余项，且拥有国际领先的加工技术和制造设备，如Mazak CNC四轴、五轴加工中心、复合型切削中心、FANUC机器人生产线以及各种国际领先的检测设备。

东正制造的产品远销全球并获得国内外用户高度好评，我们产品和技术涵盖高洁净泵、阀门控制技术、PID自控阀门、高洁净阀门、容器管道安全控制技术、容器清洗技术、容器管道照明技术、过滤技术以及高洁净管道和配件等。广泛应用于生物制药、食品饮料、酿酒、精细化工、日化洗涤、纺织印染、电池和新能源等工业领域。

Donjoy is founded in 1993, covers an area of 29,000 square meters, registered capital of 105.58 million yuan, we have more than 300 employees, we have more than 30 persons technical team, we have more than 200 intellectual property rights, we have more than 30 authoritative international certification, we have more than 20 national and provincial certifications, and has an international leader of first processing technology and manufacturing equipment, such as Mazak CNC four axis, five axis machining center, compound cutting center, FANUC robot production line and various international collar first detection equipment, etc.

The products manufactured by Donjoy are sold all over the world and are highly praised by domestic and overseas Products and technology cover high purity pump, valve control technology, PID automatic control valve, high purity valve, container pipeline safety control technology, container cleaning technology, container pipe road lighting technology, filtration technology and high purity pipes and accessories. Widely used in the biopharmaceuticals, food and beverage, wine, fine chemicals, daily chemical washing, textile printing and dyeing, battery and new energy and other industrial fields.

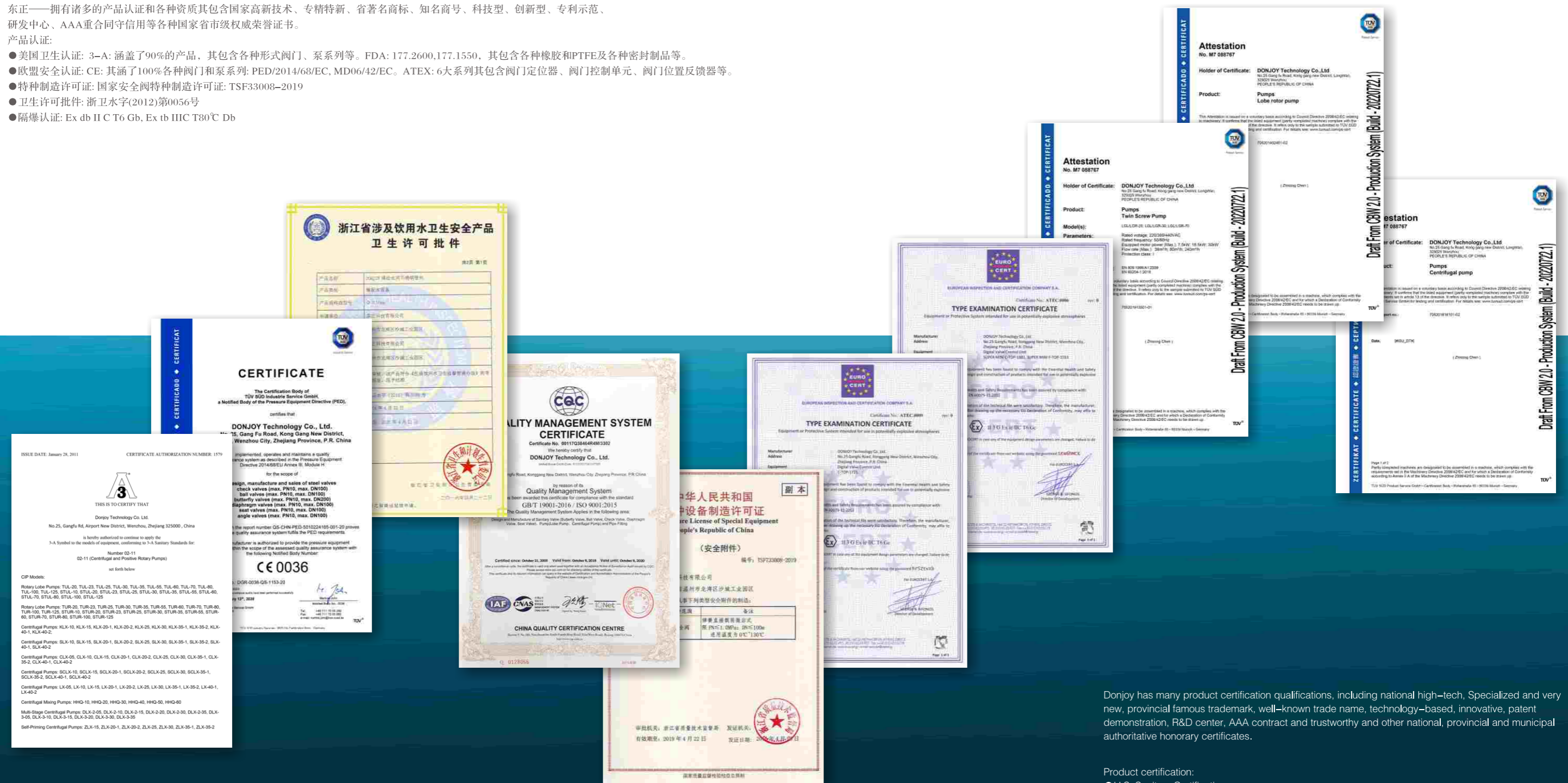


Certification

东正——拥有诸多的产品认证和各种资质其包含国家高新技术、专精特新、省著名商标、知名商号、科技型、创新型、专利示范、研发中心、AAA重合同守信用等各种国家省市级权威荣誉证书。

产品认证:

- 美国卫生认证: 3-A: 涵盖了90%的产品, 其包含各种形式阀门、泵系列等。FDA: 177.2600, 177.1550, 其包含各种橡胶和PTFE及各种密封制品等。
- 欧盟安全认证: CE: 其涵盖了100%各种阀门和泵系列: PED/2014/68/EC, MD06/42/EC。ATEX: 6大系列其包含阀门定位器、阀门控制单元、阀门位置反馈器等。
- 特种制造许可证: 国家安全阀特种制造许可证: TSF33008-2019
- 卫生许可批件: 浙卫水字(2012)第0056号
- 防爆认证: Ex db IIC T6 Gb, Ex tb IIIC T80°C Db

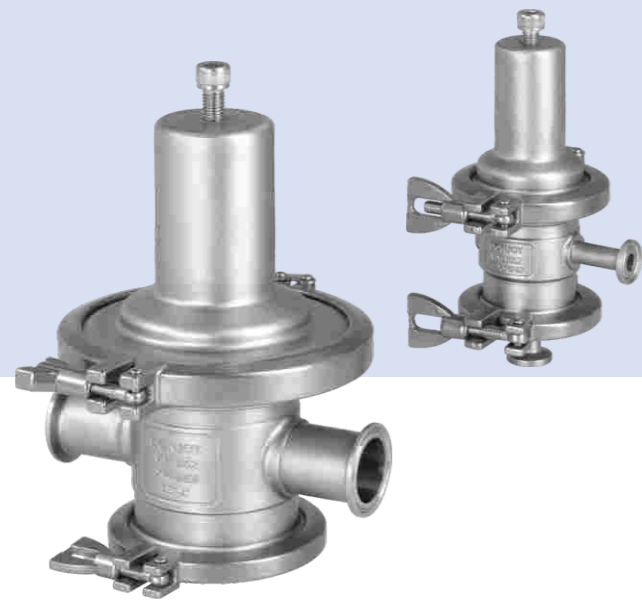


Donjoy has many product certification qualifications, including national high-tech, Specialized and very new, provincial famous trademark, well-known trade name, technology-based, innovative, patent demonstration, R&D center, AAA contract and trustworthy and other national, provincial and municipal authoritative honorary certificates.

- Product certification:
- U.S. Sanitary Certification
 - 3-A: Covers 90% of products, including all kinds of valves, pump, etc.
 - FDA: 177.2600, 177.1550, containing various rubber, PTFE and other sealing products.
 - EU safety certification
 - CE: covers all kinds of valves and pumps: PED/2014/68/EC, MD06/42/EC.
 - ATEX: 6 major series, including valve positioner, valve control unit, valve position feedback device, etc.
 - Special manufacturing license: National safety valve special manufacturing license: TSF33008-2019
 - Sanitation license approval document: Zhewei Shuizi (2012) No. 0056
 - Flameproof certification: Ex db IIC T6 Gb, Ex tb IIIC T80°C Db

减压阀 Pressure reducing valve

AK-JY type



减压阀有两种设计T型和L型，压力差值0.5bar到8bar，最大压力 10bar。我们设计严格按照美国-3-A-64-00的减压阀具有无死角、无滞留、KV值曲线特性较好。

The pressure reducing valve has two designs, T type and L type, with a pressure difference of 0.5 bar to 8 bar, and a maximum pressure of 10 bar. Our Pressure reducing valve designed strictly in accordance with the United States -3-A-64-00 has no dead ends, no retention, and better KV curve characteristics.



产品应用

- 该阀可以控制阀后压力，而不需要气动或电控制的元件。减压阀是一种双座膜片控制的弹簧加载的比例控制阀，其主要应用在食品饮料、酿酒、医药、化工等行业。
- 该阀不需要外部先导管路，减压阀与介质接触部位不锈钢和PTFE材料，因此有着非常优异的耐高温和耐腐蚀性。该阀是完全排空设计，无死角、适用于CIP和SIP系统中。

技术特点

- 规格: 1/2"-3", DN10-DN65
- 材质: 316L/1.4404, ASME BPE 316L 1.4435 NB2 Fe≤0.5%
- 压力: 10bar(1.0 MPa)
- 温度: -20°C 到 +150°C, 取决密封于材质
- 密封: EPDM FKM HNBR PTFE
- 连接标准: DIN SMS ISO IDF RJT BS4825 ASME BPE 3A DIN11864 DIN11853
- 连接方式: 螺纹、卡箍、焊接、法兰
- 光洁度: Ra≤0.6 μm; MP=Ra≤0.3 μm; EP=Ra≤0.3 μm
- 认证: FDA 177.2600; 3A-64-00; Glass II USP Glass VI Chapter 88; GB4806.11; EG VO/1935-2004; PED/97/23/EC。

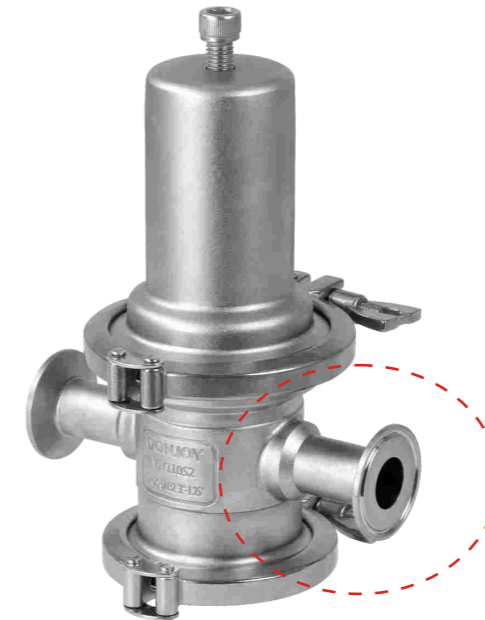
Applications

- DONJOY pressure reducing valve is a twin seat diaphragm-controlled spring-loaded proportional control valve which is primarily used for hygienic applications in the food processing and pharmaceutical industries. A PTFE protective foil renders the diaphragm physiologically safe and steam proof up to 180°C. The valve does not require an external pilot line.

Technical Features

- Specifications: 1/2"-3", DN10-DN65
- Material: 316L/1.4404, ASME BPE 316L 1.4435 NB2 Fe≤0.5%
- Pressure: 10bar (1.0 MPa)
- Temperature: -20°C to +150°C, Depending on the seal material
- Sealing: EPDM FKM HNBR PTFE
- Connection standard: DIN SMS ISO IDF RJT BS4825 ASME BPE 3A DIN11864 DIN11853
- Connection method: thread, clamp, welding, flange
- Finish: Ra≤0.6 μm; MP=Ra≤0.3 μm; EP=Ra≤0.3 μm
- Certification: FDA 177.2600; 3A-64-00; Glass II USP Glass VI Chapter 88; GB4806.11; EG VO/1935-2004; PED/97/23/EC.

非常灵活的阀体组合和连接方式 Very Flexible Valve Body Combination And Connection Method



焊接Welding



卡箍Clamp

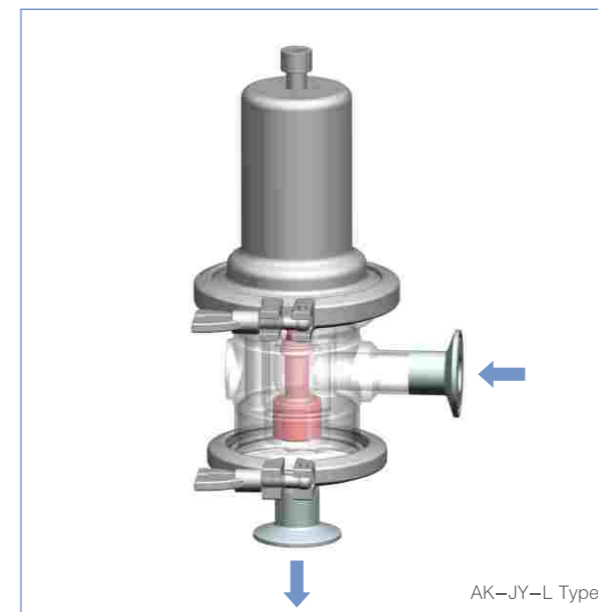


螺纹Thread



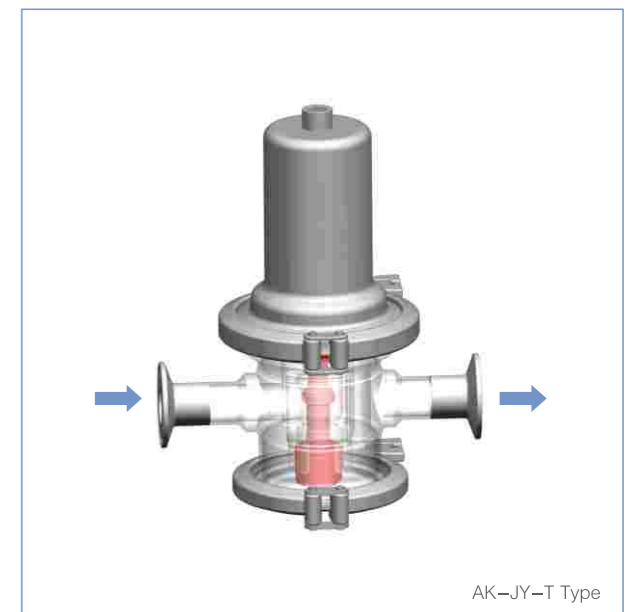
法兰Flange

L型减压阀 L type pressure reducing valve



AK-JY-L Type

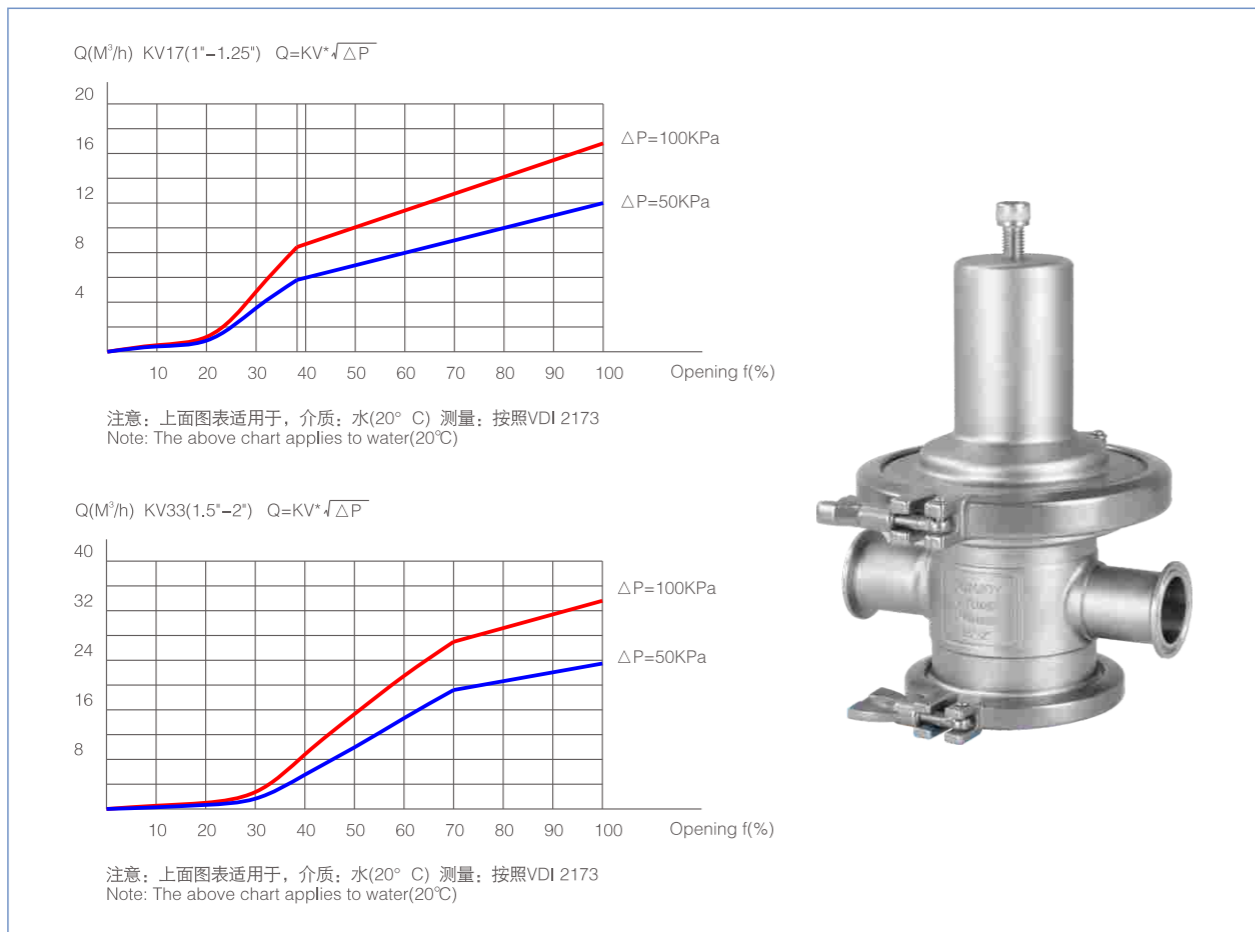
T型减压阀 T type pressure reducing valve



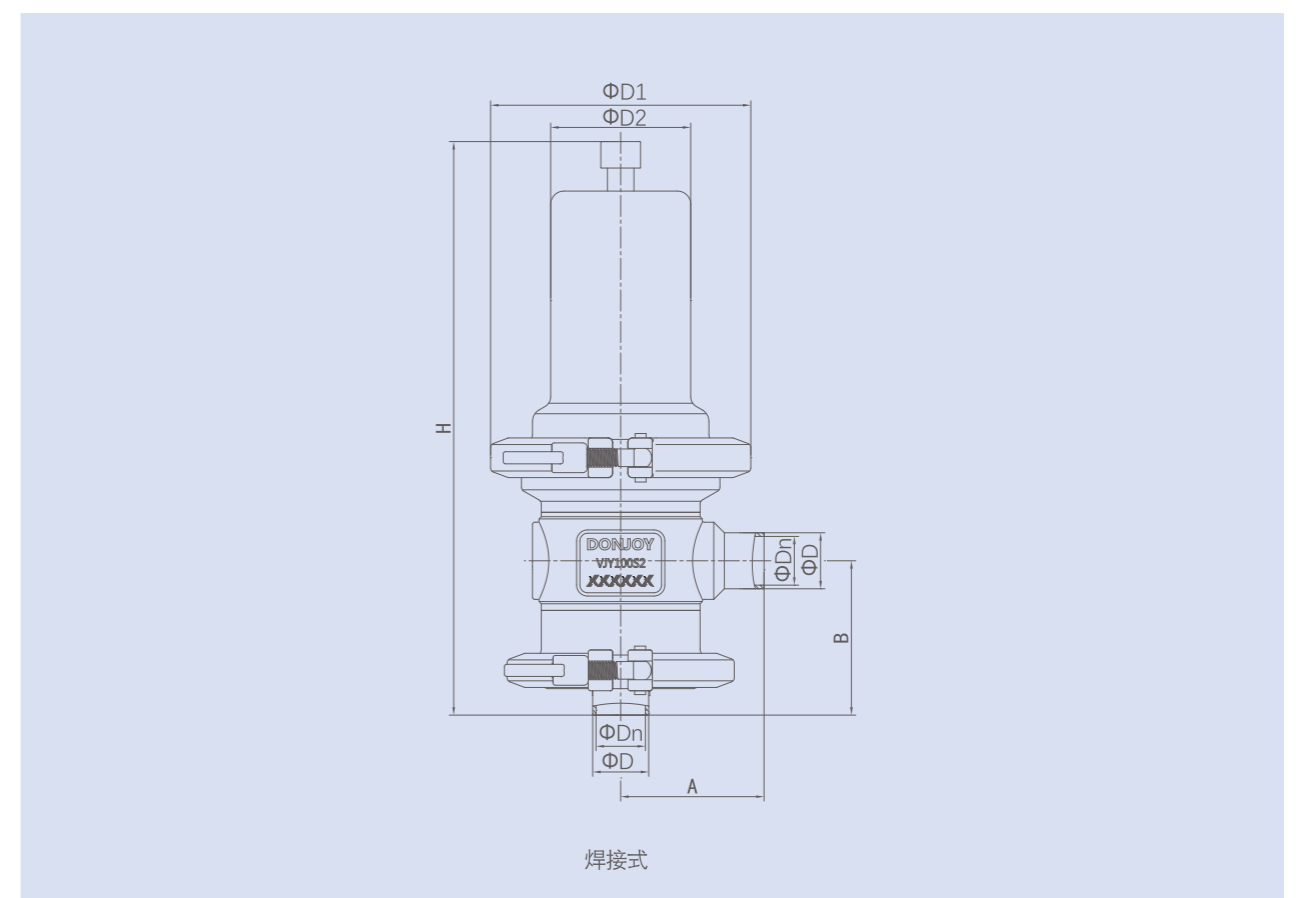
AK-JY-T Type

减压阀 Pressure reducing valve

减压阀流量曲线图 Pressure reducing valve flow graph



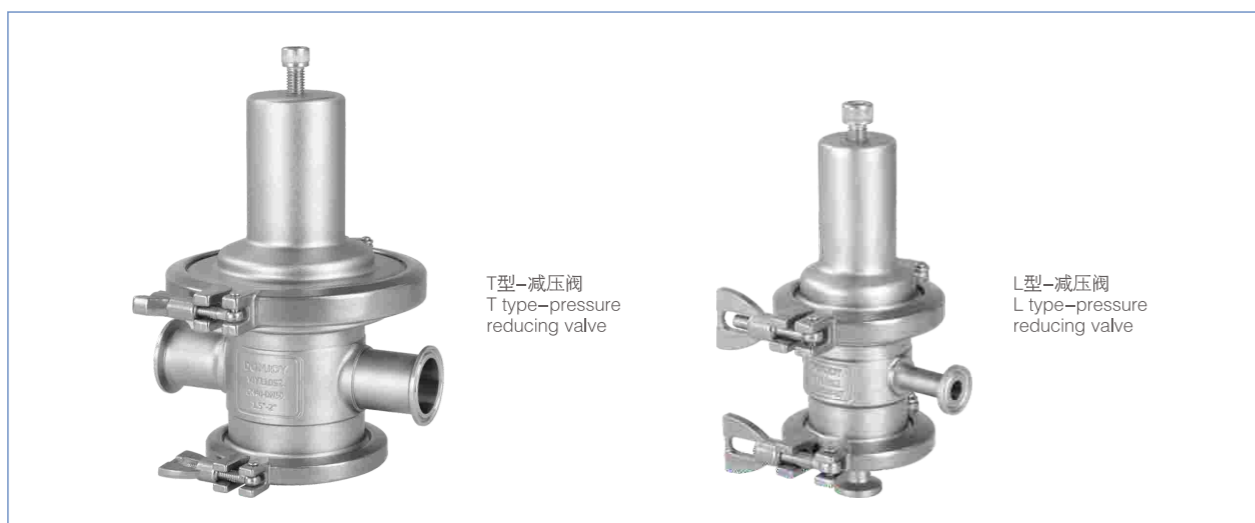
2022款L型减压阀-数据图



INCH

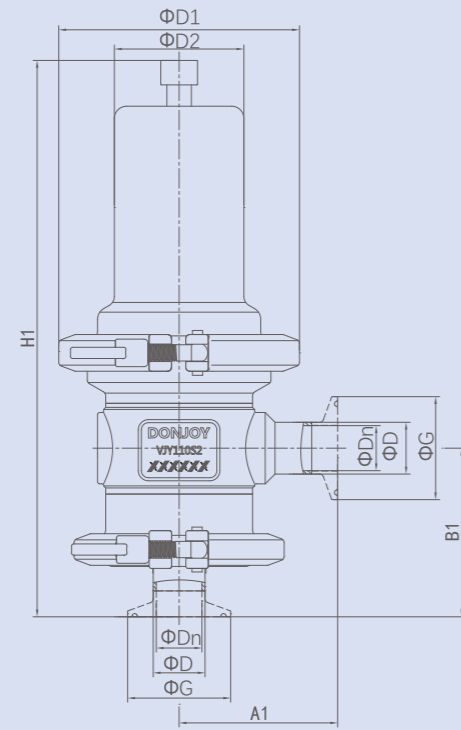
规格	D	Dn	G	A	B	A1	B1	D1	D2	H	H1
0.5"	12.7	9.4	25	51	57.5	63.7	70.2	90	40	197.5	210.2
0.75"	19.1	15.8	25	51	57.5	63.7	70.2	90	40	197.5	210.2
1"	25.4	22.1	50.5	65	70	77.7	82.7	118	63.5	260.15	272.85
1.25"	31.8	28.8	50.5	65	70	77.7	82.7	118	63.5	260.15	272.85
1.5"	38.1	34.8	50.5	80	76	92.7	88.7	170	63.5	269.25	281.95
2"	50.8	47.5	64	110	76	122.7	88.7	170	63.5	269.25	281.95
2.5"	63.5	59.5	77.5	120	100	162.7	112.7	198	70	355.25	367.95
3"	76.2	72.2	91	150	100	162.7	112.7	198	70	355.25	367.95
4"	101.6	97.6	119	170	100	185.8	115.8	198	70	355.25	371.05

注意：以上数据图相关尺寸不作为实物最终依据，东正保留对于数据更新权限不再另行通知。
Note: The relevant dimensions of the above data diagrams are not regarded as the final basis of the actual object. Dongzheng reserves the right to update the data without further notice.



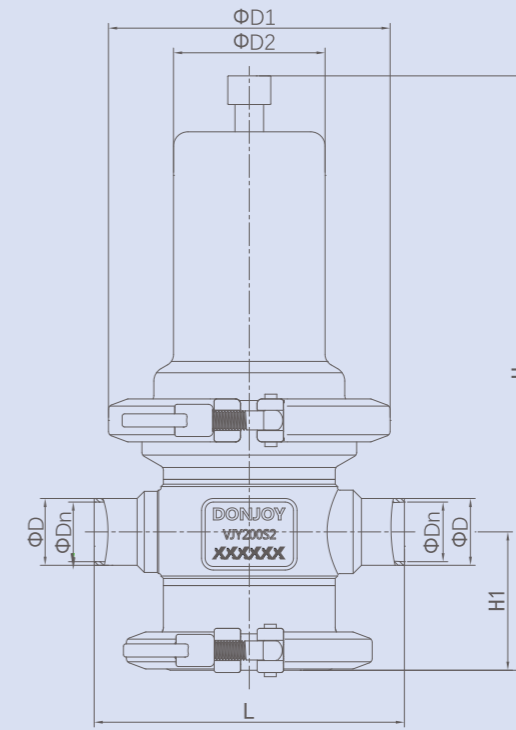
减压阀 Pressure reducing valve

2022款L型减压阀-数据图



卡箍式

2022款T型减压阀 - 数据图



焊接式

DIN											
规格	D	Dn	G	A	B	A1	B1	D1	D2	H	H1
DN10	12	9	34	51	57.5	69	75.5	90	40	197.5	215.5
DN15	19	16	34	51	57.5	69	75.5	90	40	197.5	215.5
DN25	28	25	50.5	65	70	86.5	91.5	118	63.5	260.15	281.65
DN32	34	31	50.5	65	70	86.5	91.5	118	63.5	260.15	281.65
DN40	40	37	50.5	80	76	101.5	97.5	170	63.5	269.25	290.75
DN50	52	49	64	110	76	131.5	97.5	170	63.5	269.25	290.75
DN65	70	66	91	150	100	178	128	198	70	355.25	383.25
DN80	85	81	106	150	100	178	128	198	70	355.25	383.25
DN100	104	100	119	170	100	198	128	198	70	355.25	383.25

INCH									
规格	D	Dn	G	D1	D2	L	L1	H	H1
0.5"	12.7	9.4	25	90	40	102	127.4	185.5	45.5
0.75"	19.1	15.8	25	90	40	102	127.4	185.5	45.5
1"	25.4	22.1	50.5	118	63.5	130	155.4	249.15	58
1.25"	31.8	28.8	50.5	118	63.5	130	155.4	249.15	58
1.5"	38.1	34.8	50.5	162	63.5	160	185.4	259	67
2"	50.8	47.5	64	162	63.5	220	245.4	259	67
2.5"	63.5	59.5	77.5	198	70	240	265.4	333.15	95
3"	76.2	72.2	91	198	70	300	325.4	333.15	95
4"	101.6	97.6	119	198	70	340	371.6	333.15	95

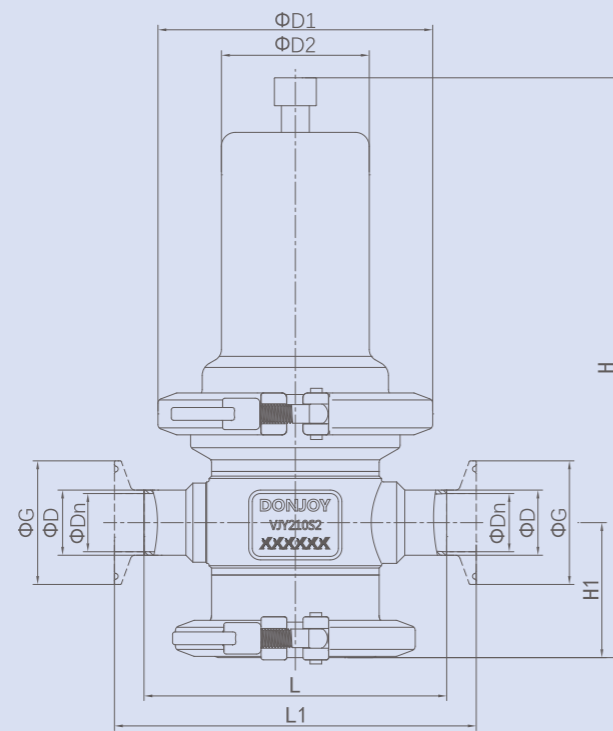
注意：以上数据图相关尺寸不作为实物最终依据，东正保留对于数据更新权限不再另行通知。
Note: The relevant dimensions of the above data diagrams are not regarded as the final basis of the actual object. Dongzheng reserves the right to update the data without further notice.

注意：以上数据图相关尺寸不作为实物最终依据，东正保留对于数据更新权限不再另行通知。
Note: The relevant dimensions of the above data diagrams are not regarded as the final basis of the actual object. Dongzheng reserves the right to update the data without further notice.

减压阀

Pressure reducing valve

2022款T型减压阀 - 数据图



卡箍式

INCH

规格	D	Dn	G	D1	D2	L	L1	H	H1
DN10	12	9	34	90	40	102	138	185.5	45.5
DN15	19	16	34	90	40	102	138	185.5	45.5
DN25	28	25	50.5	118	63.5	130	173	249.15	58
DN32	34	31	50.5	118	63.5	130	173	249.15	58
DN40	40	37	50.5	162	63.5	160	203	259	67
DN50	52	49	64	162	63.5	220	263	259	67
DN65	70	66	91	198	70	300	356	333.15	95
DN80	85	81	106	198	70	300	356	333.15	95
DN100	104	100	119	198	70	340	396	333.15	95

注意：以上数据图相关尺寸不作为实物最终依据，东正保留对于数据更新权限不再另行通知。
 Note: The relevant dimensions of the above data diagrams are not regarded as the final basis of the actual object. Dongzheng reserves the right to update the data without further notice.

减压阀货号编制规则

VAK - JYL - OA1 - DN50 - 6F



① 阀门类型代码

VAK-JYL: L型减压阀
 VAK-JYT: T型减压阀

② 阀门连接方式

0-焊接式; 1-卡箍式; 3-外螺纹式; 4-法兰式; 5-由任螺母式

③ 表示阀门执行类型

A1: 自动调节(基本型)

④ 表示阀门规格

SMS/3A/RJT/ISO		DIN	
025	OD 1"	025	DN 25
032	OD 1 1/4"	032	DN 32
038	OD 1 1/2"	040	DN 40
051	OD 2"	050	DN 50
063	OD 2 1/2"		

⑤ 表示阀体材质 (与介质接触部分)

6-AISI 316L; 4-AISI 304

⑥ 表示密封材质 (与介质接触部分)

E-EPDM; F-FPM(默认);